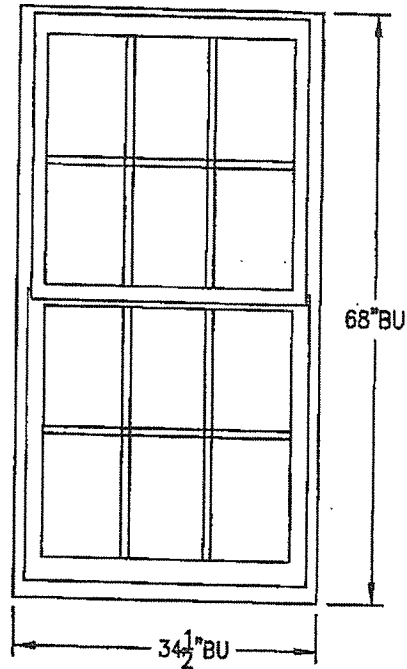
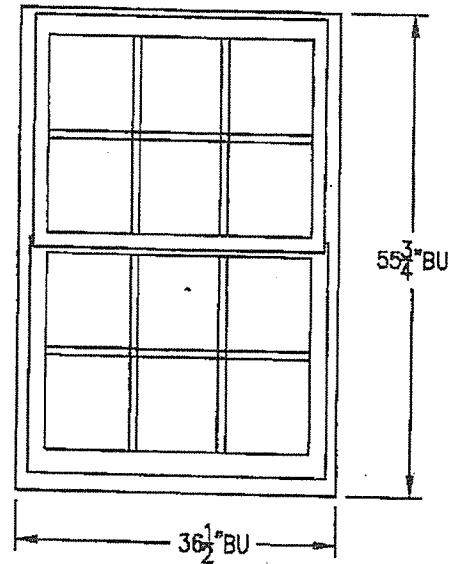


QUOTE: 29578
 LINE: 100
 QTY: 2

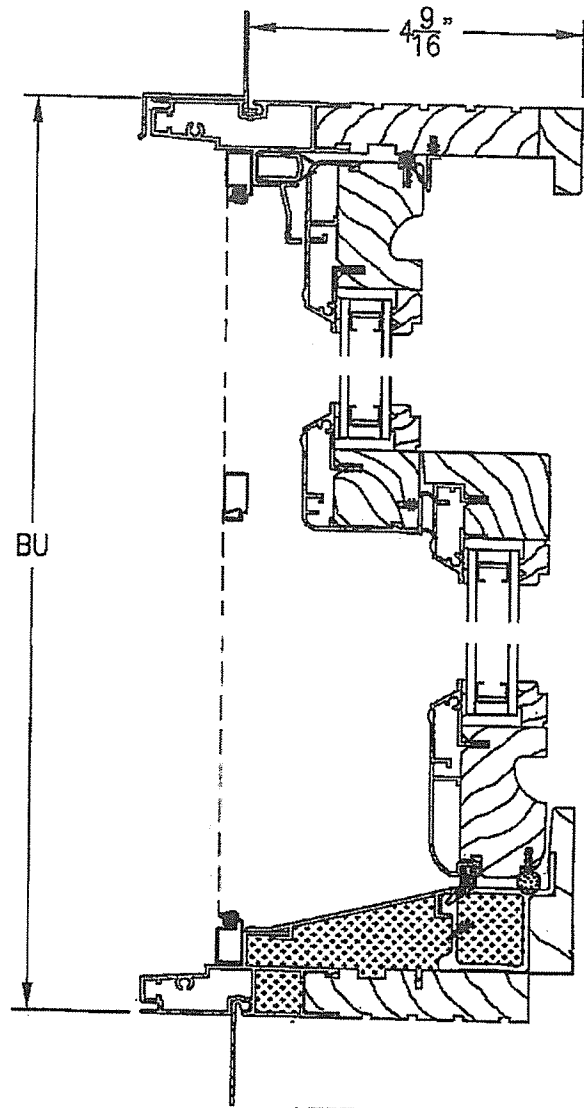


QUOTE: 29578
 LINE: 200
 QTY: 3

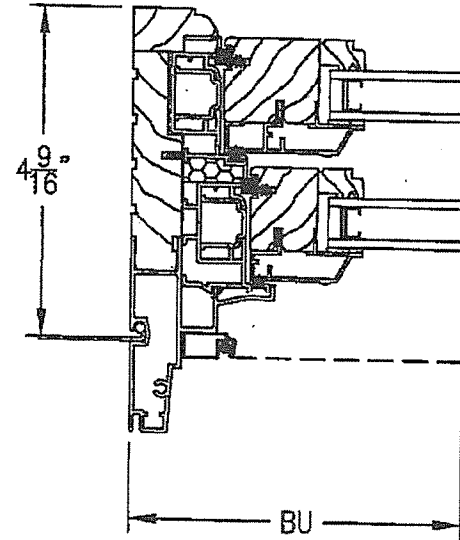


QUOTE: 29578
 LINE: 300
 QTY: 1


TRACKER # 839990	DWG. NO. A	DATE 6/27/18
CUSTOMER HARBROOK		
SO#	LINE#	DRAWN BY SJL
PRODUCT I.D. DCS		SEMCO SHAPE NO.
PRODUCT DCS****		
PART 7/8" EXTERIOR SDL BARS		
INTERIOR PARTS TRADITIONAL		WOOD SPECIES PINE
QTY.		
JAMB	4 9/16"	
GLASS	LOE-270	
COLOR (EXTERIOR)	HFGN	
INT. FIN.	NATURAL	
INT. CSC. (RADIUS UNIT)		
NOTES		
THIS DRAWING REQUIRES APPROVAL OF DESIGN AND DIMENSIONS BEFORE PRODUCTION CAN OCCUR.		
APPROVED BY	DATE	
SEMCO WINDOWS & DOORS		



VERTICAL SECTION-DCS



HORIZONTAL SECTION-DCS

SEMCO
 WINDOWS  DOORS