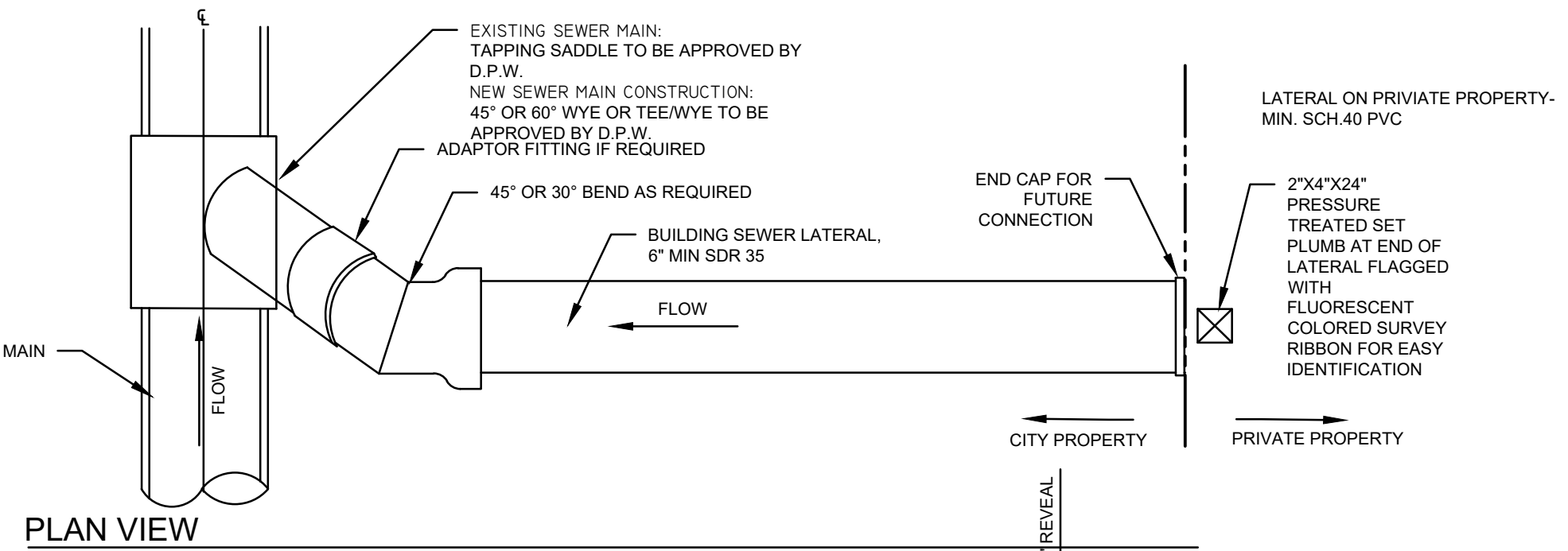
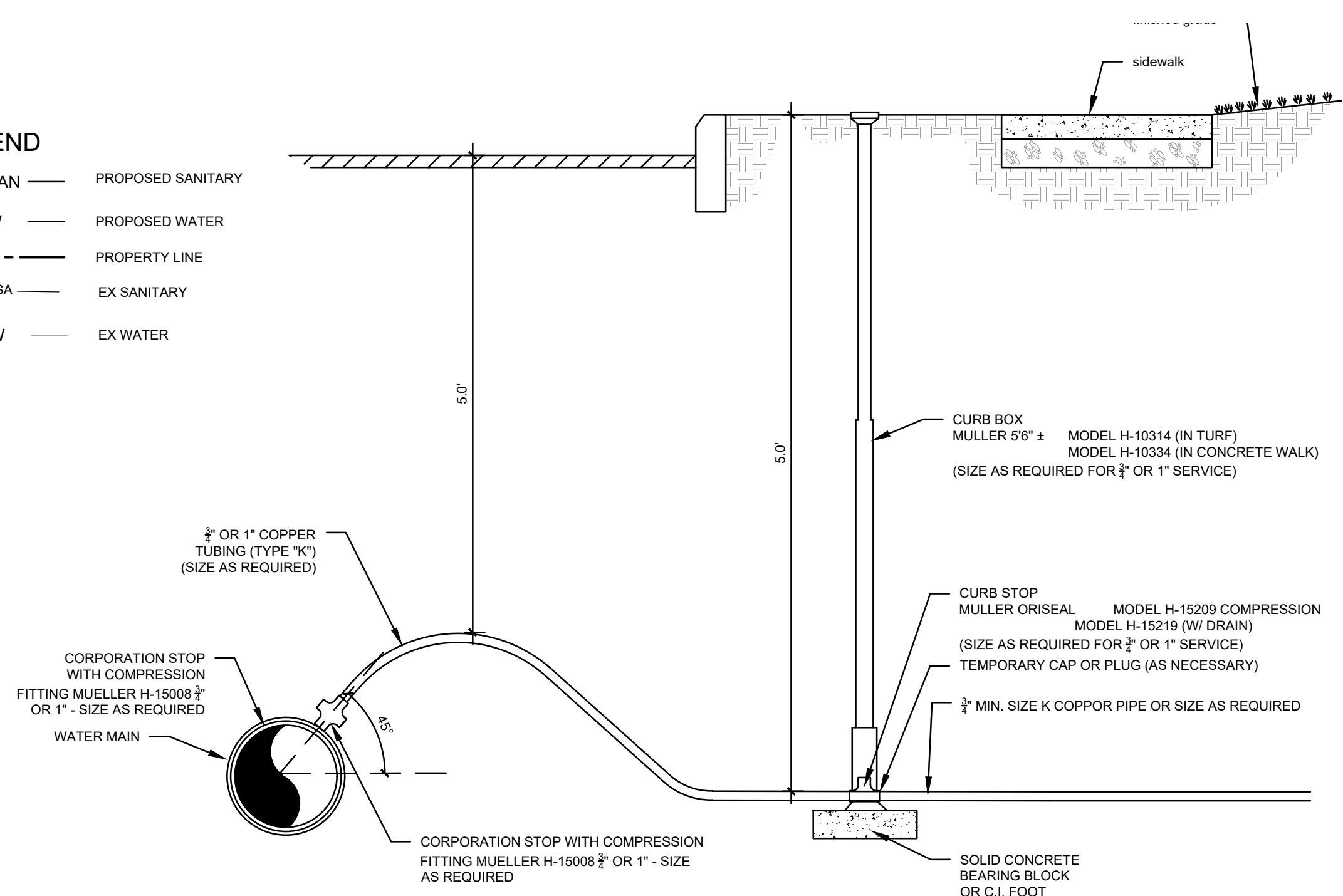
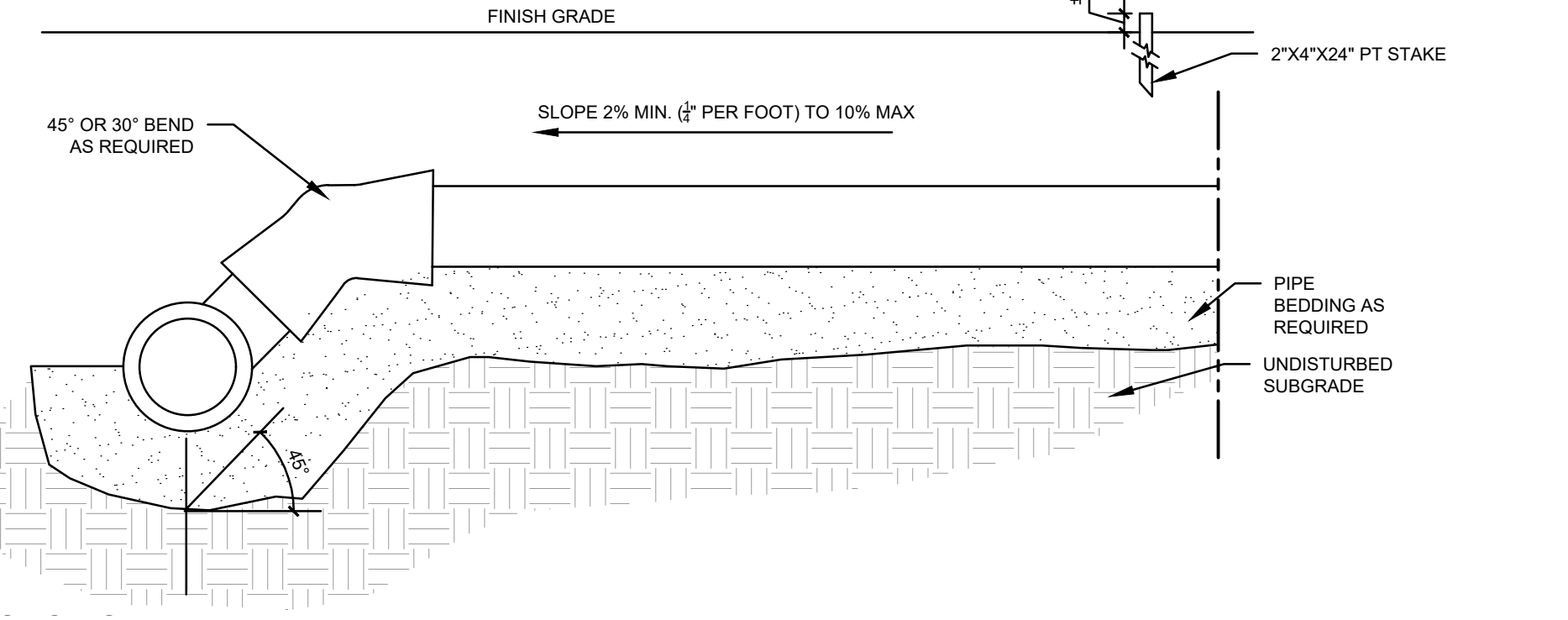


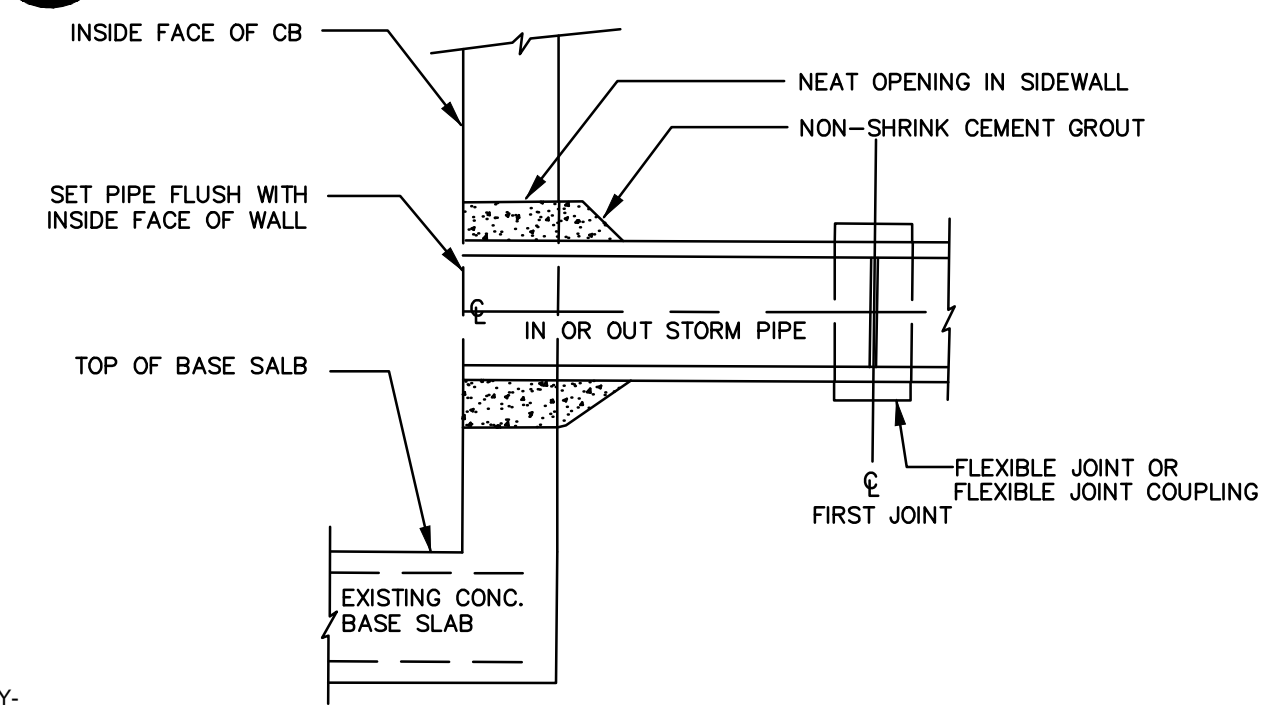
3 WATER SERVICE



4 SANITARY SEWER SERVICE



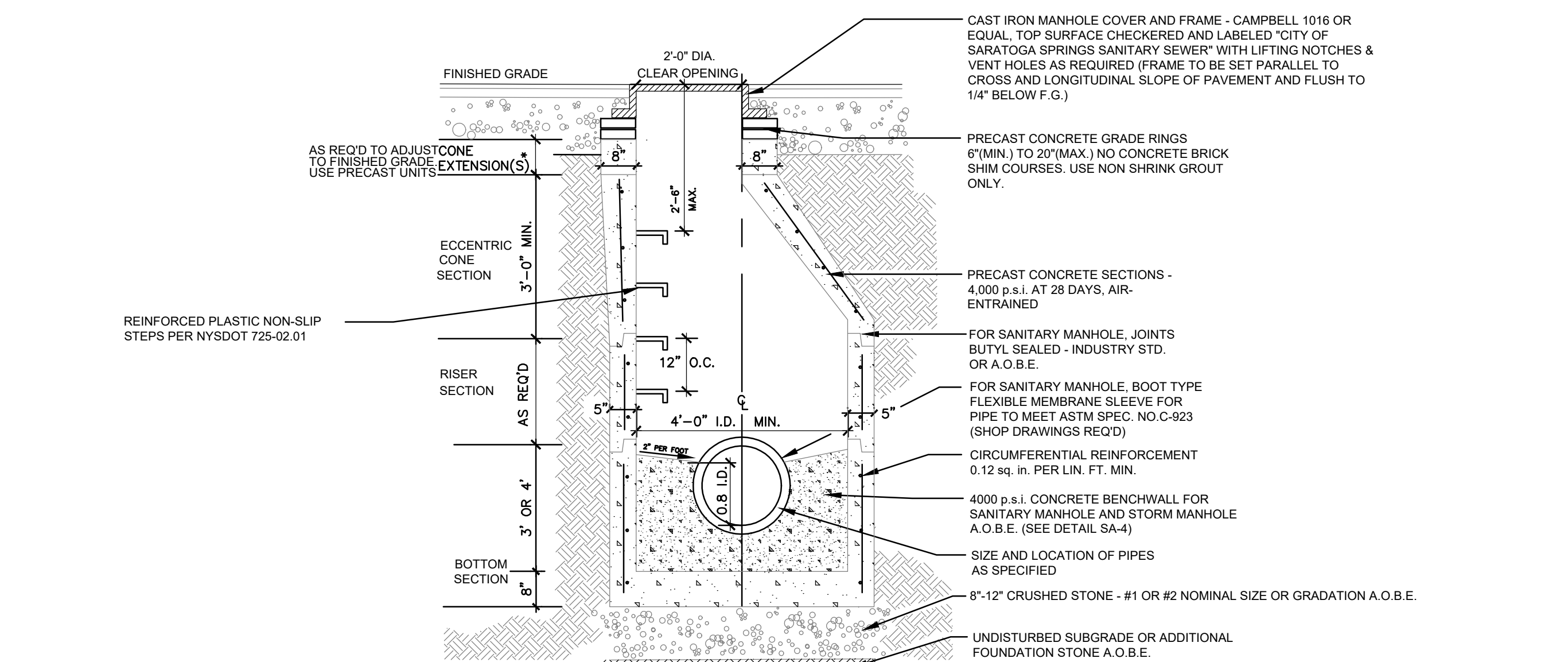
7 DRIP STRIP



5 CONNECTION TO EX. MANHOLE

- WATER NOTES**
1. WATER SERVICES SHALL BE INSTALLED AT A MINIMUM DEPTH OF COVER BELOW FINISHED GRADE OF 5'-0".
 2. THERE SHALL BE A MINIMUM HORIZONTAL SEPARATION OF TEN FEET (EDGE TO EDGE) BETWEEN ANY WATER MAIN AND ANY SANITARY OR STORM SEWER. THERE SHALL ALSO BE A MINIMUM VERTICAL SEPARATION OF EIGHTEEN INCHES BETWEEN ANY WATER MAIN AND SANITARY STORM SEWER.
 3. NEW WATER SERVICES FROM MAIN TO CURB STOP WILL BE INSTALLED WITH A MINIMUM COVER SHOWN ON STANDARD DETAILS UNLESS ADJUSTMENT IS REQUIRED BECAUSE OF THE DEPTH OF EXISTING WATER MAIN. SERVICE SHALL BE BROUGHT TO A MINIMUM DEPTH IN STANDARD DETAILS AS CLOSE TO THE MAIN AS POSSIBLE.
 4. DURING ALL EXCAVATION IN WHICH THE EXISTING WATER MAIN IS OR CAN EASILY BE EXPOSED, THE CONTRACTOR SHALL LOCATE THE WATER LINE, BOTH HORIZONTALLY AND VERTICALLY. THIS INFORMATION SHALL BE PROVIDED TO THE CITY OF SARATOGA SPRINGS AND INCORPORATED IN THE AS-BUILT DRAWINGS.
 5. THE LOCATION OF UNDERGROUND UTILITIES INDICATED ON THE PLANS ARE FOR INFORMATION ONLY, AND ALL UTILITIES MAY NOT BE SHOWN. THE CONTRACTOR SHALL CONTACT DIG SAFELY NY (1-800-962-7962) AND THE PROPER LOCAL AUTHORITIES OR RESPECTIVE UTILITY COMPANY HAVING JURISDICTION TO FIELD VERIFY THE LOCATION OF ALL EXISTING UTILITIES BEFORE COMMENCING WORK. ANY COSTS INCURRED BY THE CONTRACTOR DUE TO FAILURE TO CONTACT THE PROPERTY AUTHORITIES SHALL BECOME THE RESPONSIBILITY OF THE CONTRACTOR.
 6. WATER VALVE BOXES, EXISTING STRUCTURE RIMS, NEW STRUCTURE RIMS, ETC., SHALL BE ADJUSTED TO CONFORM TO NEW FINISHED PAVEMENT GRADES UNLESS OTHERWISE NOTED AND/OR DIRECTED BY THE OWNER'S REPRESENTATIVE.
- SANITARY SEWER NOTES**
1. PVC SANITARY SEWERS, FITTING AND SERVICE LATERALS TO PROPERTY LINES SHALL CONFORM TO AND BE INSTALLED IN ACCORDANCE WITH THE CITY OF SARATOGA SPRINGS STANDARDS.
 2. ALL SEWER PIPING AND FITTINGS SHALL CONFORM TO THE STANDARD SPECIFICATIONS FOR PVC PIPE, ASTM DESIGNATION D-3034-78 OR LATEST REVISION TO THE DIMENSIONS AND TOLERANCE OF CLASSIFICATION SDR-26 WITH SINGLE GASKET PUSH-ON JOINTS.
 3. INFORMATION AND SHOP DRAWINGS FOR MATERIALS USED SHALL BE SUBMITTED AND APPROVED BY THE OWNER'S REPRESENTATIVE PRIOR TO THE PLACEMENT OF ANY ORDERS OF SAID MATERIALS.
 4. FILED ADJUSTMENTS SHALL BE APPROVED BY MARTINO ENGINEERING AND THE CITY OF SARATOGA SPRINGS, PRIOR TO INSTALLATION.

1 UTILITY PLAN



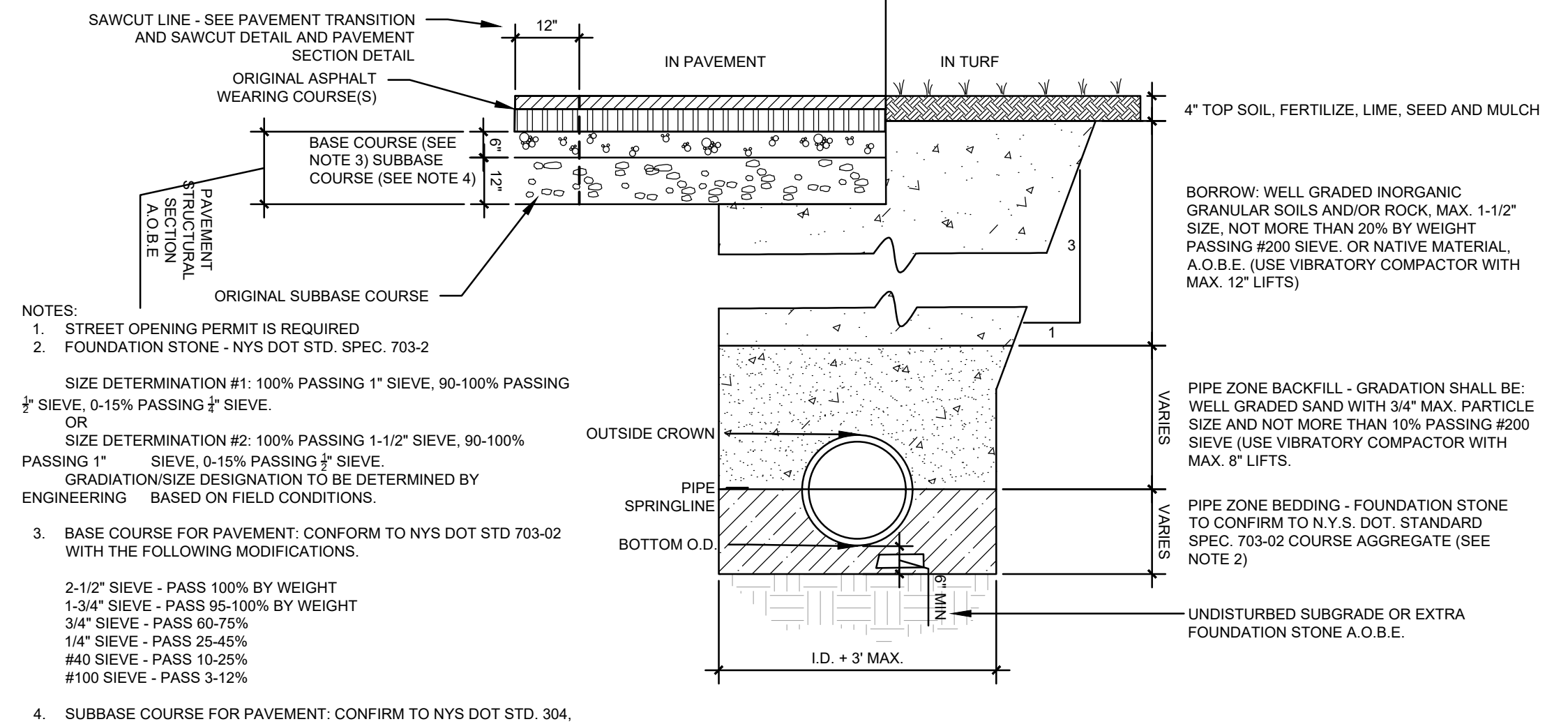
2 PRE-CAST CONCRETE MANHOLE - 5' DEEP AND OVER

- NOTES:**
- 1.) SHOP DRAWINGS REQUIRED TO BE REVIEWED BY THE CITY ENGINEER
 - 2.) ALL MANHOLES TO BE PLACED IN ANY TRAFFIC AREAS SHALL MEET ASSHTO WHEEL LOADING REQUIREMENTS.

APPROVED UNDER AUTHORITY OF A RESOLUTION ADOPTED _____ BY THE PLANNING BOARD OF THE CITY OF SARATOGA SPRINGS.

CHAIRPERSON _____ DATE SIGNED _____

6 PIPE TRENCH



- NOTES:**
1. STREET OPENING PERMIT IS REQUIRED
 2. FOUNDATION STONE - NYS DOT STD. SPEC. 703-2
 3. BASE COURSE FOR PAVEMENT: CONFORM TO NYS DOT STD 703-02 WITH THE FOLLOWING MODIFICATIONS.
 - 2-1/2" SIEVE - PASS 100% BY WEIGHT
 - 1-3/4" SIEVE - PASS 95-100% BY WEIGHT
 - 3/4" SIEVE - PASS 90-75%
 - 1/4" SIEVE - PASS 25-45%
 - #40 SIEVE - PASS 10-25%
 - #100 SIEVE - PASS 3-12%
 4. SUBBASE COURSE FOR PAVEMENT: CONFORM TO NYS DOT STD. 304, TYPE 2

MARTINO engineering
 MARTINO ENGINEERING, P.L.L.C.
 PO BOX 472
 SARATOGA SPRINGS
 NY 12866
 P: 518.832.4802
 F: 518.834.1347
 www.martinoengineering.com

ALTERATION OF THE MATERIAL IN ANY WAY UNLESS DONE UNDER THE DIRECTION OF A COMPETENT PROFESSIONAL ENGINEER FOR AN ENGINEER IS A VIOLATION OF THE NEW YORK STATE EDUCATION LAW AND/OR REGULATIONS AND IS A CLASS "A" MISDEMEANOR.

PRELIMINARY ISSUED FOR REVIEW AND APPROVAL ONLY

NO.	DATE	DESCRIPTION

PREPARED FOR:
 City of Saratoga Springs
 Saratoga Springs, NY 12866

PROJECT: HYDE STREET SUBDIVISION
 STREET ADDRESS: HYDE STREET
 TOWN/STATE/COUNTY: SARATOGA SPRINGS, SARATOGA COUNTY
 PLAN DESCRIPTION: UTILITY PLAN

SCALE: AS SHOWN
 ME PROJ NO: 18005
 DATE: 07/17/2018

C1
 SHEET 1 OF 1